



Tabletop convenience in a rugged vial labeler



Setting Global Standards
One Customer at a Time

Tabletop Wrap Labeler

Features:

Round products are manually loaded onto the infeed chute. The stepper motor driven indexing starwheel will remove one product at a time as released from the infeed chute by the air cylinder operated gate that operates in unison with each indexing motion. As products index to the labeling station, a label will be dispensed and a powered roller on an air cylinder operated slide will extend down to contact and rotate the product and wrap the dispensed label. Upon completion, the roller will retract and the starwheel will index until the products fall into a collection hopper (collection hopper not included.)

Standard Features:

Completely enclosed, rugged, anodized aluminum construction
Aerotech stepper controller
Maple color touch screen
HMI operator interface for labeler control with ease of change
One (1) custom machined product starwheel
Batch counter with auto stop
Approx. 12" long, down sloping infeed chute

Options:

Additional starwheels
Hot stamp imprinter
Loose loop integration of thermal printer
Clear label sensing
16" diameter label roll capacity

Electrical:

120 Volts AC, 7 Amps
50/60 Hertz

Pneumatic:

80 PSI, 2 CFM

Speed:

225 – 330 IPM

Up to 50 ppm – depending on product and label size

Label Roll Capacity:

12" OD, 3" ID
(Optional: 16" OD, 3" ID)

Product Dimension:

Max. Dia.: 2.50"
Min. Dia.: .312"
Max. Length: 6.00"
Min. Length: .750"

Label Sensing:

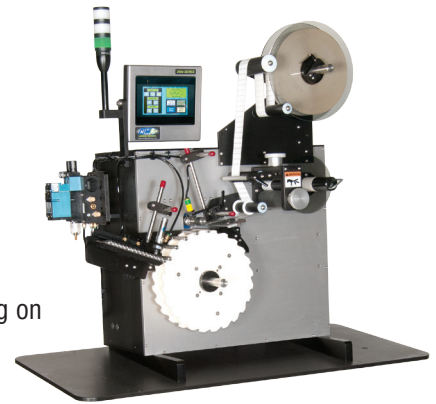
Photoelectric

Unit Dimensions:

Approx. 40" H x 40" W x 25" D

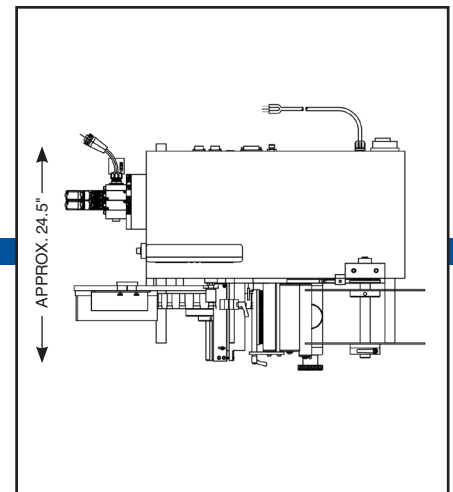
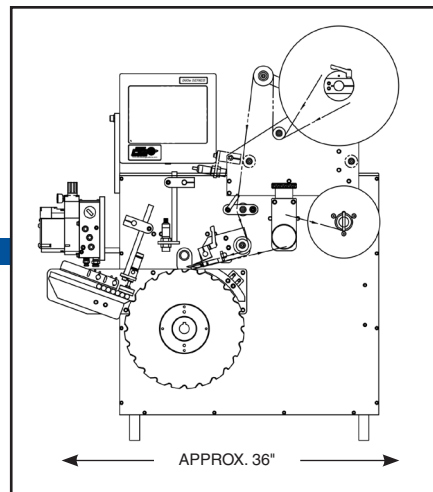
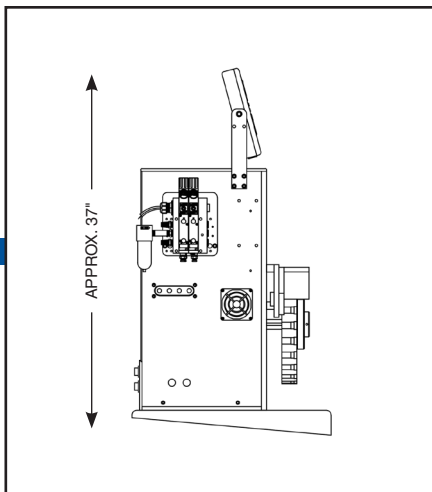
Weight:

250 lbs.



Label Dimension:

Max. Width: 5.00"
Min. Width: .500"
Max. Length: 8.00"
Min. Length: .500"



Distributed By: